



AluShield

Aluminium Retractable Security Gate Installation Guide

This guide offers detailed instructions for installing a full aluminium **AluShield** retractable security gate, suitable for residential and commercial use. Please refer to the manufacturer's online manual for specific safety instructions and guidelines.

Tools and Materials Needed

- Tape measure
- Spirit Level
- Drill with masonry and metal bits
- Phillips Screwdrivers
- Pencil or marker
- Safety gear (gloves, safety glasses)
- Aluminium retractable gate kit (including tracks, slam-lock mechanism, and mounting hardware)
- Fixing screws or anchors (typically included or specified by the manufacturer)
- Cleaning cloth and mild detergent (for post-installation cleanup)

Preparation

Measure the Opening:

- Determine the width and height dimensions of the door or window opening intended for installation – take note of any objects e.g. skirting boards, that may affect the positioning and operation of the gate.
- Confirm the gates dimensions matches the opening, or can be adjusted to fit the opening.

Note: The AluShield security gate has been designed to suite a 2100mm high opening. The tolerance and clearances allowed, can suited to either 2080mm or 2090mm depending on tiles and floor coverings etc. These designed tolerances have been specifically allowed for the purposes of deviation.

Note: Each and every standard or custom 2100mm sized AluShield gate, is manufactured with a 130mm retractable width tolerance / allowance. For example, a standard 900mm gate is able to suite an opening of between 845mm and 975mm in terms of retractability.

Check the Surface:

- Ensure the mounting surface (wall, door frame, or posts) is flat and structurally sound.

Note: Aluminium gates require secure fixing points to withstand force.

- For uneven surfaces, consider using spacers between the gates outer frame and surface to ensure plumbness, maximum strength and to minimise tampering.

Unpack and Inspect:

- Unpack the gate kit and verify all components are included: head rail and bottom track, gate uprights with cross-flights, slam-lock mechanism, and fixing screws.
- Check for damage and ensure the gate is as per the size and colour purchased.

Installation Steps

1. Installing the Head Rail:

1. Position the head rail along the upper edge of the opening, ensuring it is level. Use a spirit level to confirm.

Note: Please take care to avoid any door handles or other potential objects that may interfere with the gate's intend slam-lock operation and smooth functioning.

2. Mark the fixing points with a pencil, typically every 300–400mm along the track.
3. Drill fixing holes for the included SS Tamper Proof screws, into the wall or metal frame using a masonry bit (for brick/concrete) or metal bit (for metal frames).
4. Insert the retractable gate's rollers into the head rail, ensuring they slide in smoothly. *Please refer to diagram 1 below.*

Note: It is very important that this is done before securing the head rail.

5. Secure the head rail with the SS Tamper Proof screws provided, tightening with a screwdriver.

2. Installing the Bottom Track:

1. Align the bottom track directly below the head rail, ensuring it is parallel and level.
2. Mark and drill fixing holes as done for the head rail.
3. Insert the free floating bottom guides into each upright, and carefully position the same bottom guides, one-by-one, into the bottom track. *Please refer to diagram 3 & 4 below.*

Note: It is very important that this is done before securing the bottom track.

4. Secure the bottom track using the Hilti screws provided, ensuring it is 100% level.
5. Clear the bottom track of any debris which may prevent the gate bottom guides from operating smoothly.

3. Checking Retractable Operation:

1. Manually adjust the retractable cross-flight gates upright operation, to ensure it fits snugly within the frame, checking for equal spacing between each upright. For centre-locking models, ensure the stack spreads evenly when opened.

4. Install the Slam-Lock Mechanism:

1. Attach the slam-lock mechanism to the gate, typically on the left, right, or centre, depending on the model purchased. *Please refer to diagram 5 below.*
2. Test the slam-lock to ensure it engages instantly and automatically when the gate is closed. A slam-lock provides immediate security in emergencies.

5. Secure the Gate:

1. Align the outer most fixed cross-flight upright (centre locking - 2 x uprights) and for side locking gates, the lock-keep profile, to the openings walls or metal frame, ensuring they are plumbed flush and vertical. Use a spirit level to confirm.
2. Mark and drill the coach screw fixing holes into the outer aluminium upright and lock-keep profile, using suitably sized metal drill bits, as per the fixing holes sizes illustrated in *diagram 2* below.
3. Secure the outer cross-flight upright using the SS Tamper Proof screw, tightening with a screwdriver.
4. Secure the lock-keep using the SS Tamper Proof screw, tightening with a screwdriver.

6. Test the Gate:

1. Slide the gate open and closed multiple times to ensure smooth operation and proper alignment.
2. Check that the slam-lock and any additional locks engage securely.
3. Verify the gate withstands moderate force without shifting, as aluminium gates are designed for strength under attack.

Post-Installation

1. Clean the Gate:

- Wipe down the gate with a mild detergent and cloth to remove dust or debris. Aluminium gates require occasional washing to maintain appearance, especially in coastal areas.

2. Maintenance Tips:

- Regularly clear debris from the bottom track to prevent obstruction.
- Lubricate rollers or bearings annually with a silicone-based lubricant to ensure smooth sliding. Wipe down any excess or visible lubricant.
- Inspect the powder coating for scratches and touch up with matching paint to prevent corrosion. Available on the AlGuard online store.

3. Safety Checks:

- Ensure the gate complies with the applicable safety standards if used in your home or commercial building.
- For homes with children or pets, verify the gate has no gaps that could pose both a security and safety risk.

Notes

- **Professional Installation:**

While Alsysco's AluShield aluminium retractable gate is designed for DIY installation, our professional team of expert installers is recommended for optimal safety and security, especially in complex situations or for intended automated purposes.

- **Customizations:**

AlGuard also manufactures custom sized gates and burglar bars, including louvre shutters and security screens. Please contact us for a bespoke manufactured solution.

Diagram 1.

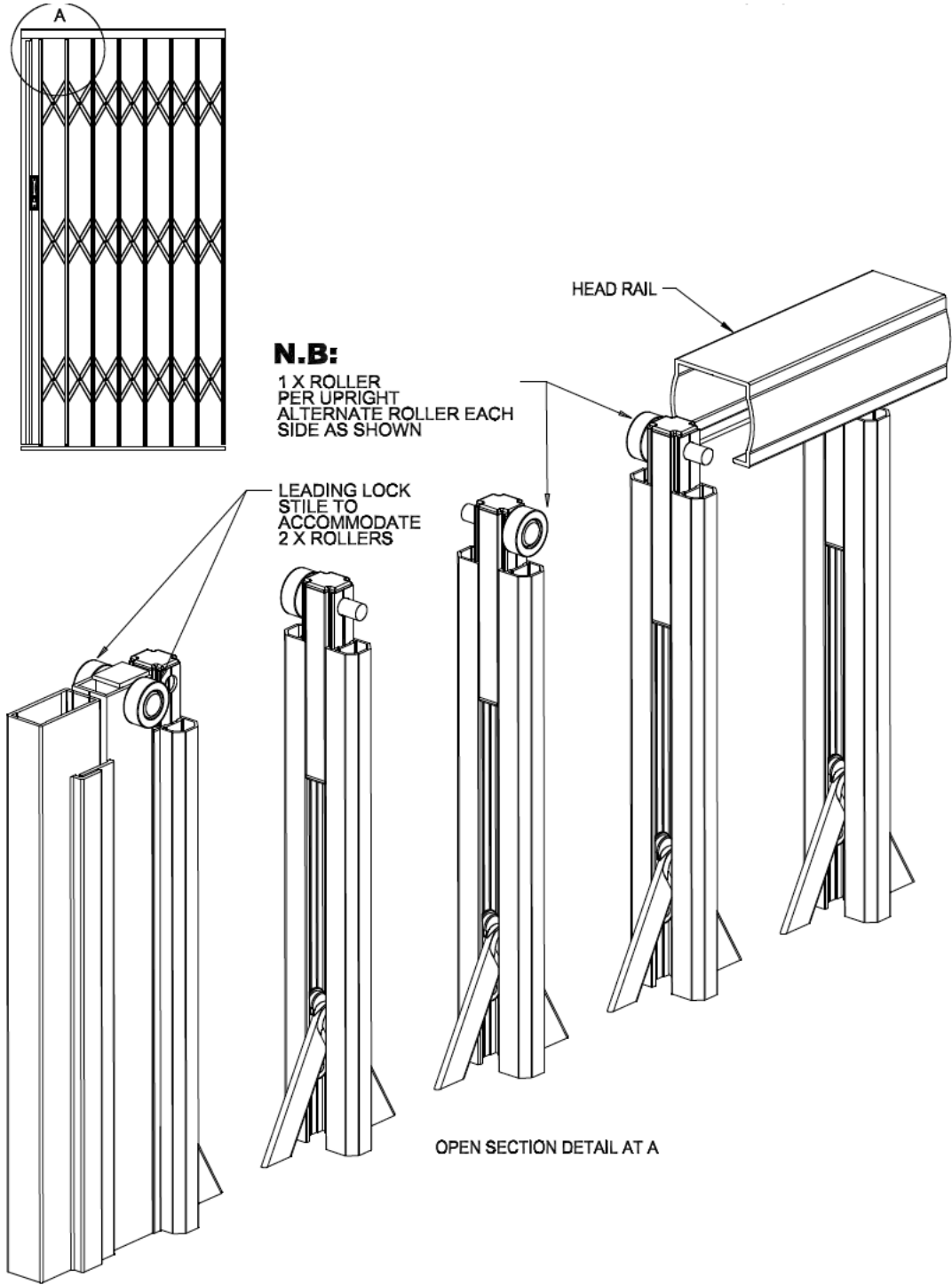


Diagram 2.

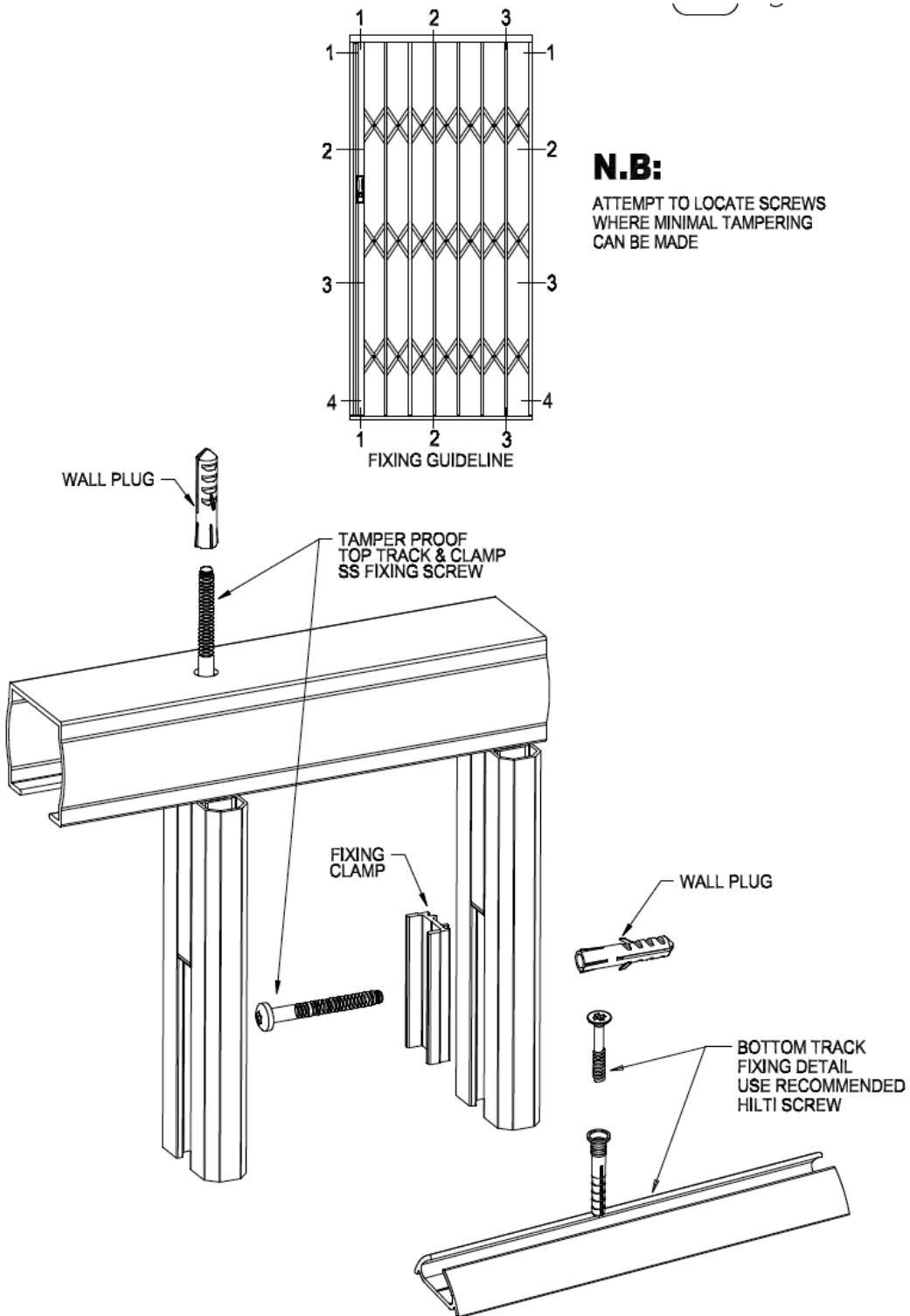


Diagram 3.

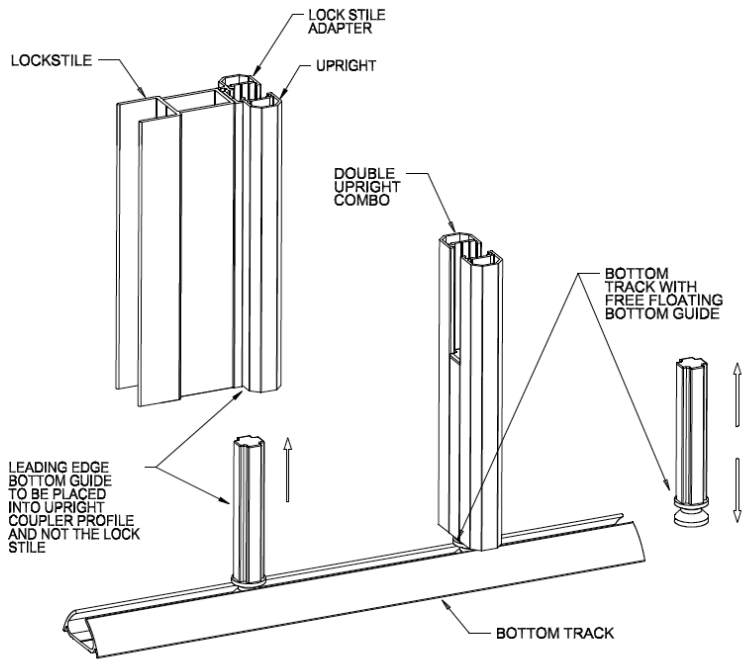


Diagram 4.

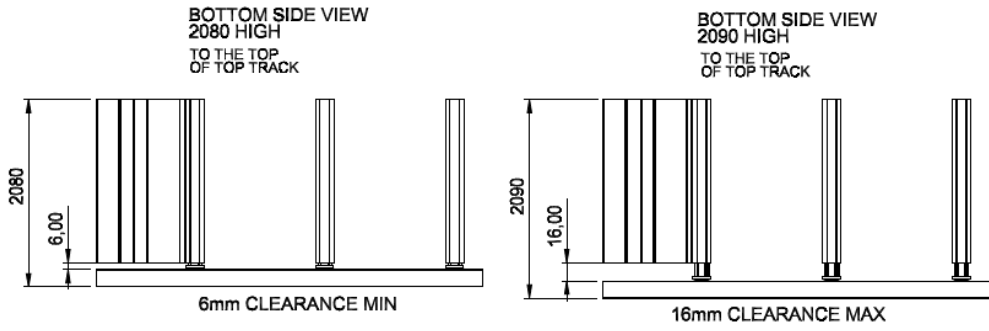


Diagram 5.

